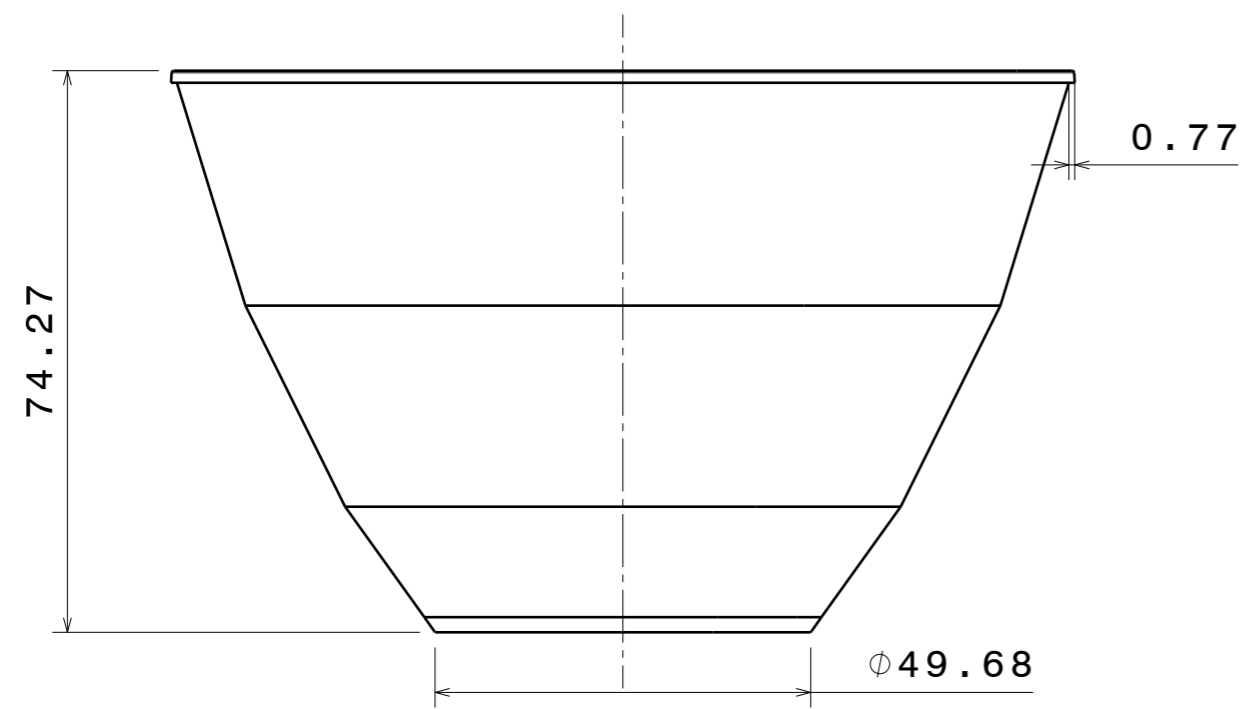
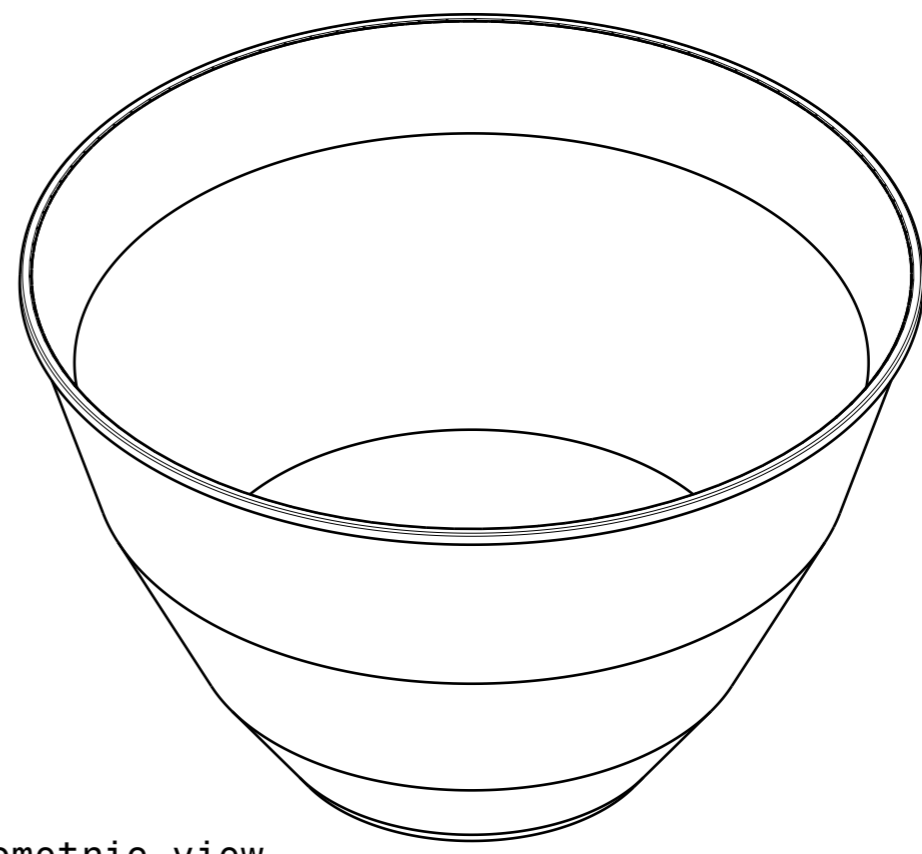


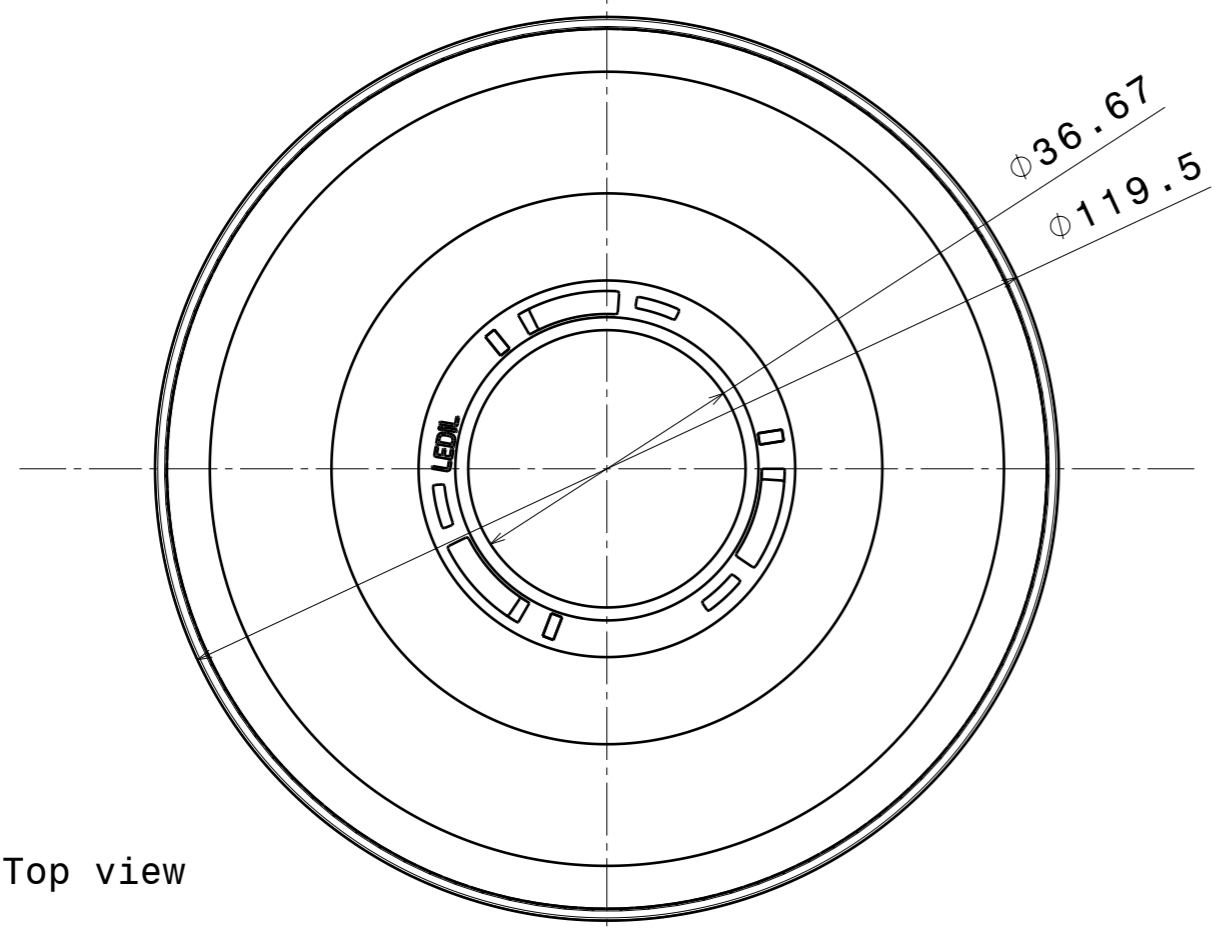
H G F E D C B A



Front view



Isometric view



Top view

INDEX	PART NO	DESCRIPTION	MATERIAL	COLOUR
1	F13379	Angela-S	PC	metal

Tolerances if not otherwise shown  
 According to DIN ISO 2768-1  
 Linear measures: class C  
 According to DIN ISO 2768-2  
 Form and position: class L

**LEDiL** LediL Oy  
 Salorankatu 10  
 FIN 24240 SALO  
 Finland

THIRD ANGLE PROJECTION:

DRAWING TITLE  
**F13379\_Angela-S**

This drawing is the property of LEDiL Oy. It may not be reproduced, copied or communicated without a written agreement with LEDiL Oy.

SIZE	PART NUMBER
<b>A3</b>	<b>F13379</b>

SCALE	1:1	WEIGHT	78,76 g	SHEET	1/1
-------	-----	--------	---------	-------	-----

H G B A